



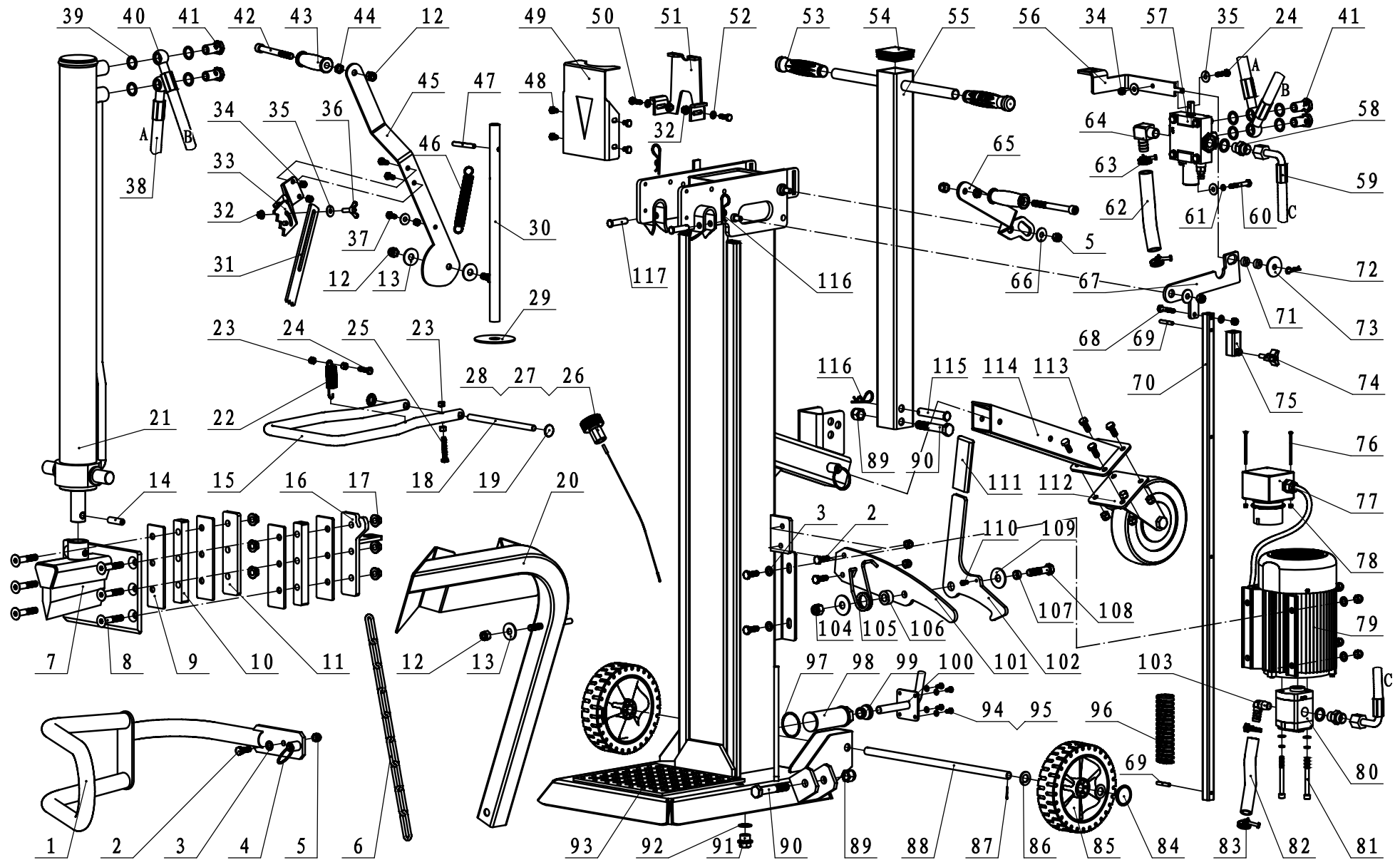
I

ESPLOSO RICAMBI

GB

EXPLODED VIEW

**Spaccalegna/Log splitter
Bufalo Cod. 92303**



Pos	AMA	Cod	Description	Qty
1	SPK-BU0001	1657080120010Z05	Left Guard Bracket	1
2	SPK-BU0002	20104010030388	Bolt 8.8 M10x30	7
3	SPK-BU0003	204010100003	Flat Washer 10	9
4	SPK-BU0004	1657080001610Z03	Locating Pin Handle	2
5	SPK-BU0005	2030701003	Locknut M10	13
6	SPK-BU0006	1657080001740Z03	Lift Chain ϕ 6	1
7	SPK-BU0007	1657100480100Z05	Wedge Weldment	1
8	SPK-BU0008	202130120653	Bolt 8.8 M12x65	6
9	SPK-BU0009	1657080481060S00	Friction Plate	4
10	SPK-BU0010	1657080481070S00	Baffle Plate	2
11	SPK-BU0011	1657080481080Z05	Left Plate	1
12	SPK-BU0012	2030701203	Locknut M12	4
13	SPK-BU0013	204020120003	Large Washer 12	3
14	SPK-BU0014	2060312004501	Cylindrical Pin 8x40	1
15	SPK-BU0015	1657100001181Z05	Control U-Handle	1
16	SPK-BU0016	1657100480200Z05	Right Plate	1
17	SPK-BU0017	2030801203	Nut M12	6
18	SPK-BU0018	1657100001230Z03	Axis Pin	1
19	SPK-BU0019	1CCZ2881010Z00	Wheel Cap 12	2
20	SPK-BU0020	1657080000180Z05	Lift Guard	1
21	SPK-BU0021	1657100550010Z00	Cylinder	1
22	SPK-BU0022	1657080001300Z03	Spring	1
23	SPK-BU0023	2030300803	Nut M8	5
24	SPK-BU0024	20104008030388	Bolt 8.8 M8x30	2
25	SPK-BU0025	20104008050388	Bolt 8.8 M8x50	1
26	SPK-BU0026	1657080000170S00	Oil Cap	1
27	SPK-BU0027	210010250265	O- Ring 25x2.65	1
28	SPK-BU0028	1657080001071Z00	Oil Dipstick	1
29	SPK-BU0029	1657080001190S00	Nylon Washer	1
30	SPK-BU0030	1657080140111Z05	Shaft	1
31	SPK-BU0031	1657080141020Z03	Extended Log Fixing Claw	1
32	SPK-BU0032	2030800803	Nut M8	3
33	SPK-BU0033	1657080140120Z05	Log Fixing Claw	1
34	SPK-BU0034	2030700803	Locknut M8	4
35	SPK-BU0035	204020080003	Large Washer 8	6
36	SPK-BU0036	1657080141030Z03	Wing Bolt M8x25	1
37	SPK-BU0037	20102008020348	Bolt M8x20	3
38	SPK-BU0038	1657080001060Z00	Lower Hose	1
39	SPK-BU0039	204120200006	Combined Washer 20	10
40	SPK-BU0040	1657080001050Z00	Upper Hose	1
41	SPK-BU0041	1656990581040Z03	Valve Connector	4
42	SPK-BU0042	202110121201	Screw M12x120	2
43	SPK-BU0043	1CCZ2001250S00	Operating Handle Grip	2
44	SPK-BU0044	2030501203	Thin Nut M12	2
45	SPK-BU0045	1657080141210Z05	Lever	1
46	SPK-BU0046	1657080141010Z03	Reset Spring	1
47	SPK-BU0047	2060308006001	Cylindrical Pin 8x60	1
48	SPK-BU0048	20102008012348	Bolt M8x12	4
49	SPK-BU0049	1657100001160Z05	Front Support Plate for Cylinder	1
50	SPK-BU0050	20102008025348	Bolt M8x25	2

51	SPK-BU0051	1657100001151Z05	Rear Support Plate for Cylinder	1
52	SPK-BU0052	204010080003	Flat Washer 8	3
53	SPK-BU0053	1CCA0021040S00	Handle Grip	1
54	SPK-BU0054	1656960101020S00	Square Plug	1
55	SPK-BU0055	1657080100110Z05	Pull Rod	1
56	SPK-BU0056	1657100001021Z05	Connecting Plate for Valve	1
57	SPK-BU0057	1657080580110Z00	Valve	1
58	SPK-BU0058	1657080581010Z00	Hose Nipple	2
59	SPK-BU0059	1657080000160Z00	Inlet Hose	1
60	SPK-BU0060	20103008050388	Bolt 8.8 M8x50	2
61	SPK-BU0061	204070080003	Spring Washer 8	4
62	SPK-BU0062	1CCA019000S00	Oil Hose 19	0,23
63	SPK-BU0063	214010280360	Hose Clamp 28-36	2
64	SPK-BU0064	1657080581020Z00	Hose Connector	1
65	SPK-BU0065	1657080401010Z05	Right Operating Lever	1
66	SPK-BU0066	204020100003	Large Washer 10	2
67	SPK-BU0067	1657080000210Z05	Connectin Lever	1
68	SPK-BU0068	20104008040388	Bolt 8.8 M8x40	1
69	SPK-BU0069	2060306004001	Cylindrical Pin 6x40	2
70	SPK-BU0070	1657080001251Z05	Stroke Adjusting Lever	1
71	SPK-BU0071	1656990001140Z03	Round Plate	2
72	SPK-BU0072	1CVC0381230Z03	Clip 2.5	1
73	SPK-BU0073	204040010003	Large Washer 10	1
74	SPK-BU0074	1CCK0000110S00	Star Knob	1
75	SPK-BU0075	1656990000200Z05	Adjusting Sleeve	1
76	SPK-BU0076	202010040603	Screw M4x60	2
	SPK-BU0077	1HCK3T230400S00	Switch	
78	SPK-BU0078	2030700403	Locknut M4	2
	SPK-BU0079	1657110180010Z07	Single Phase Motor	1
	SPK-BU0080	1657110260120Z00	Gear Pump 2.4	1
81	SPK-BU0081		Screw M8x90	1
82	SPK-BU0082	1FBJ001020Z00	Oil Hose 16	0,19
83	SPK-BU0083	214010200260	Hose Clamp 20-26	2
84	SPK-BU0084	1S08010101S09	Wheel Cap	2
85	SPK-BU0085	1S080200210S10	Wheel	2
86	SPK-BU0086	204010160003	Flat Washer 16	4
87	SPK-BU0087	2060502002003	Cotter Pin 2x20	2
88	SPK-BU0088	1657080001100Z03	Wheel Axle	1
89	SPK-BU0089	2030701603	Locknut M16	2
90	SPK-BU0090	20103016090388	Bolt 8.8, M16x90	2
91	SPK-BU0091	1656990001750Z03	Screw Plug	1
92	SPK-BU0092	204120220006	Combined Washer 22	1
93	SPK-BU0093	1657100110010Z05	Main Frame	1
94	SPK-BU0094	20104006012388	Bolt 8.8 M6x12	4
95	SPK-BU0095	204010060003	Flat Washer 6	4
96	SPK-BU0096	1656990001200Z01	Buffer Spring	1
97	SPK-BU0097	210010500265	O- Ring 50x2.65	1
98	SPK-BU0098	1WU40CZY0Z00	Oil Filter K	1
99	SPK-BU0099	1CCK0001260Z00	Bush K	1
100	SPK-BU0100	1657080170110Z05	Flange	1
101	SPK-BU0101	1657080601040Z05	Locating Plate	1

102	SPK-BU0102	1657080601050Z08	Hook	1
103	SPK-BU0103	1CCH000202BZ03	Rectangular Nozzle	1
104	SPK-BU0104	2030701403	Locknut M14	1
105	SPK-BU0105	1656990601020Z03	Torsional Spring	1
106	SPK-BU0106	1656990601030Z03	Locating Bush for Spring	1
107	SPK-BU0107	1657080601010Z00	Locating Bush	1
108	SPK-BU0108	20103014060388	Bolt 8.8 M14x60	1
109	SPK-BU0109	204020140003	Large Washer 14	2
110	SPK-BU0110	202110060101	Screw M6x10	1
111	SPK-BU0111	1656990601060S00	Handle Grip	1
112	SPK-BU0112	1656940001060Z00	Support Wheel Assy.	1
113	SPK-BU0113	20102010025348	Bolt M10x25	4
114	SPK-BU0114	1657080100120Z05	Fixing Tube	1
115	SPK-BU0115	2060616008503	Pin B 16x85	1
116	SPK-BU0116	21201030003	Clip 3	3
117	SPK-BU0117	2060612005003	Pin B 12x50	2